

Submittal Data Sheet
 Power Supply : 115V
 Capacity : 12000 Btu/h

Code	22022010012696
Indoor unit code	22022011013540
Outdoor unit code	22022016013680
Model	MSABB-12HRFN1-BS0W
Indoor unit model	MSABB-12HRFN1-BS0W
Outdoor unit model	MOB30-12HFN1-BS0W



PERFORMANCE DATA

Power supply	Ph-V-Hz	115V, 1Ph, 60Hz
--------------	---------	-----------------

Cooling

Capacity	Btu/h	12000
Input	W	1020
Rated current	A	8.9
EER	Btu/w	10.5
SEER	Btu/w	19.0

Heating at 47

Capacity	Btu/h	12000
Input	W	1026
Rated current	A	8.93
COP	W/W	3.43
HSPF4		9.5
HSPF5		7.8

Electrical

MINIMUM CIRCUIT AMPACITY	A	15.0
MAX. FUSE	A	20.0
Connection wiring		16*4 AWG

Compressor

Model		KSK103D33UEZ3
Type		Rotary
Brand		GMCC
Capacity	Btu/h	10577.2
Input	W	790
Rated current(RLA)	A	5.6
Locked rotor Amp(LRA)	A	-
Thermal protector		-
Thermal protector position		-
Refrigerant oil/oil charge	ml	ESTER OIL VG74 310 ±15 ml

SYSTEM DATA

Design pressure	PSIG	550/340
Refrigerant type	oz	R410A/29.63
Refrigerant precharge	ft	25
Additional charge per ft.	oz	0.161
Liquid side/Gas side	mm(in)	Φ6.35/Φ12.7(1/4"/1/2")
Max. refrigerant pipe length	ft	82
Max. difference in level	ft.	33

INDOOR UNIT DATA

Indoor fan motor

Model		ZKFP-20-8-113
Brand		Welling
Input		35.2
RLA	A	0.712
LRA	A	-
Winding Resistance	Ω	-
Capacitor	uF	-
Speed(Hi/Mi/Lo)	r/min	1100/850/750

Air flow & Noise level

Indoor air flow (Hi/Lo)	CFM	294/212/171
Indoor noise level (Hi/Lo)	dB(A)	38/30/28

Indoor unit

Dimension(W*D*H)	inch	31.57x7.44x11.69
Packing (W*D*H)	inch	34.45x11.22x14.76
Net/Gross weight	lbs.	18.96/24.91

OUTDOOR UNIT DATA

Outdoor fan motor

Model		ZKFN-34-8-1-3
Brand		Weiling
Input		58
RLA	A	0.39
LRA	A	-
Winding Resistance	Ω	77.3
Capacitor	uF	-
Speed	r/min	800/650

Air flow & Noise level

Outdoor air flow	CFM	1176.47
Outdoor noise level	dB(A)	55

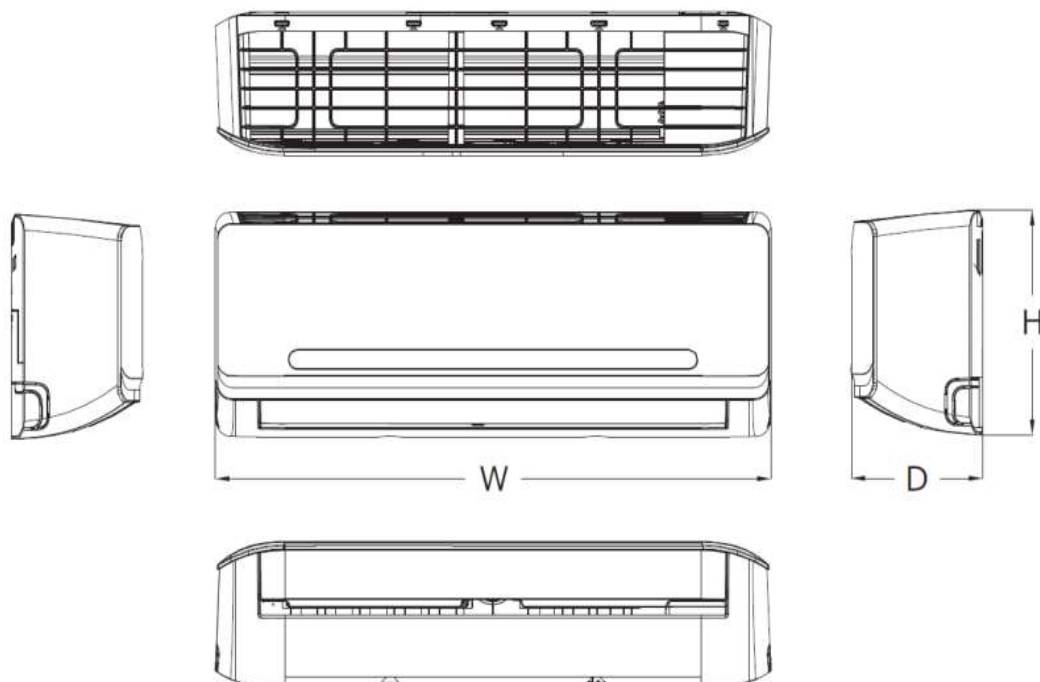
Outdoor unit

Dimension(W*D*H)	inch	31.50x13.11x21.81
Packing(W*D*H)	inch	36.22x15.35x24.21
Net/Gross weight	lbs.	66.8/71.87

Operation temperature

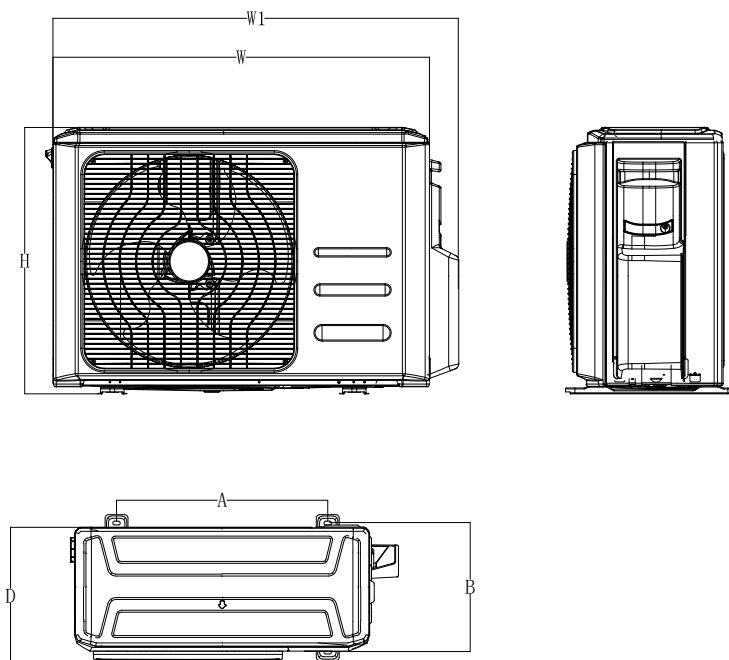
Indoor(cooling/heating)	Deg. F	62 ~ 90/32 ~ 86
Outdoor(cooling/heating)	Deg. F	5 ~ 122/5 ~ 86
Application area	sq.ft	172-252

INDOOR UNIT



Model	W (inch)	D (inch)	H (inch)
MSABB-12HRFN1-BSOW	31.57	7.44	11.69

OUTDOOR UNIT



Model	W (inch)	D (inch)	H (inch)	W1 (inch)	A (inch)	B (inch)
MOB30-12HFN1-BSOW	31.5	13.11	21.81	34.25	20.24	13.39